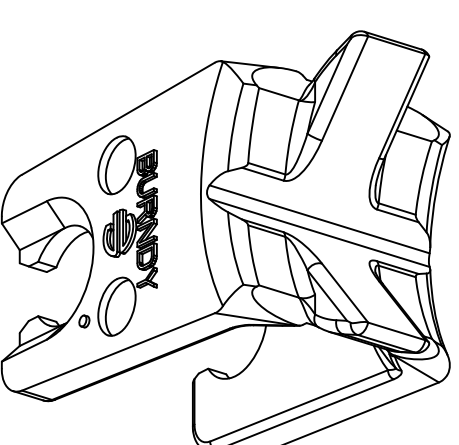
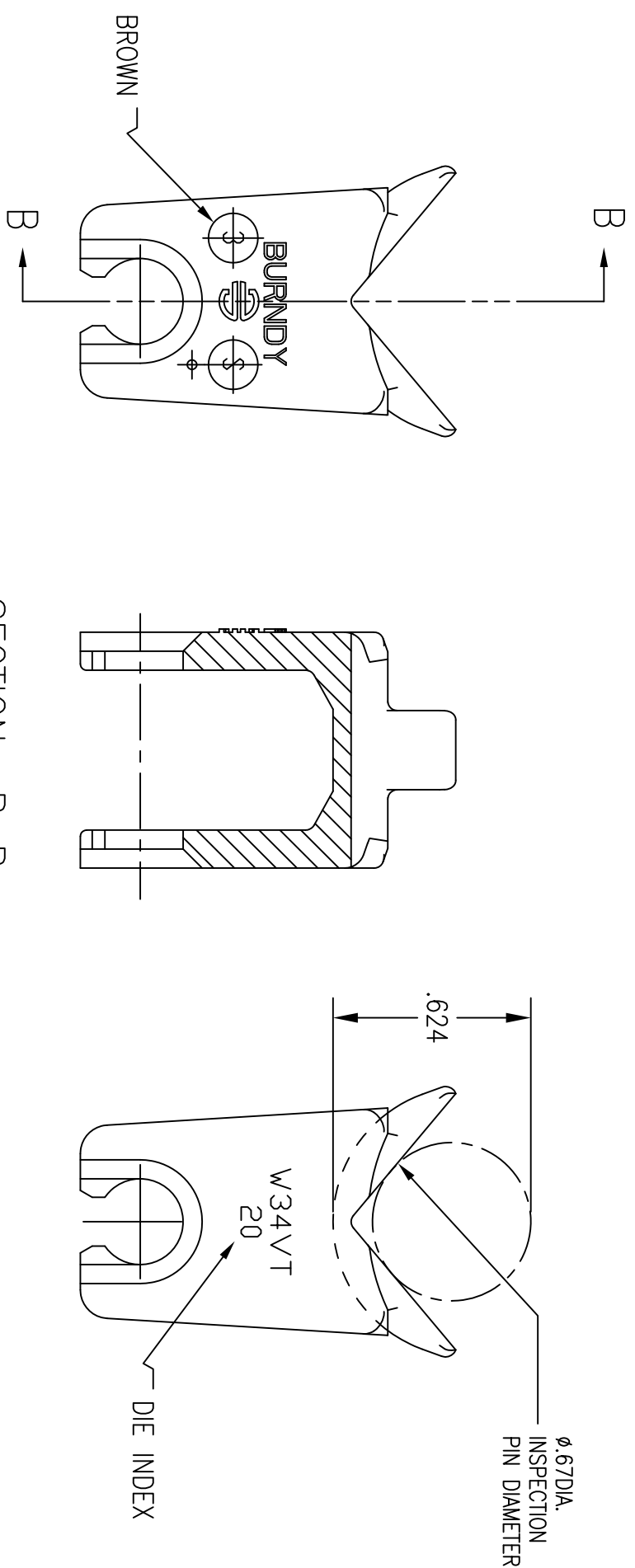


CATALOG NUMBER	DESCRIPTION
HW34VT	500KCM, DIX 20



- NOTES:
1. KIT CONTAINS ONE DIE SET.
 2. MATERIAL : STAINLESS STEEL.
 3. SPECIFICATIONS SUBJECT TO CHANGE WITHOUT NOTICE.

Created on AUTOCAD		DIMENSIONING AND TOLERANCE PER ANSI Y14.5M-1982 UNLESS OTHERWISE SPECIFIED, DIMENSIONS ARE IN INCHES (MM). TOLERANCES .XX = ±.01 (.25) .XXX = ±.005 (.127) .XXXX = ±.0025 (.0635) ANGLE TOL ±1°		PROJECT REFERENCE: 2011-041		HUBBELL Hubbell Premise Wiring HUBBELL INCORPORATED (Delaware) 23 CLARA DRIVE, SUITE 103 MYSTIC, CT 06355	
IN ACCEPTING OUR DRAWINGS, BLUPRINTS, OR SUPPORTING DOCUMENTATION FOR QUOTATION OR OTHER PURPOSES, YOU AGREE NOT TO DISCLOSE TO OTHERS THE IDEAS, INFORMATION, OR DESIGNS SHOWN HEREIN, AND THAT YOU WILL MAKE NO USE OF SAME WITHOUT PERMISSION		DRAWN BY: M. ABBY 01/22/13		MATERIAL: SEE NOTES		TITLE: DIE SET, 500KCM, CU, DIX 20 W DIE SET FAMILY	
CHECKED BY:		APPROVED BY:		SIZE C		DRAWING NO. HWS14226C	
APPROVED BY:		SCALE: N/A		SHEET 1		OF 1	
REV. 1		ECN		DATE 01/25/13		INITIAL RELEASE MMA	
REV.		CHG BY		APPD BY		DESCRIPTION	